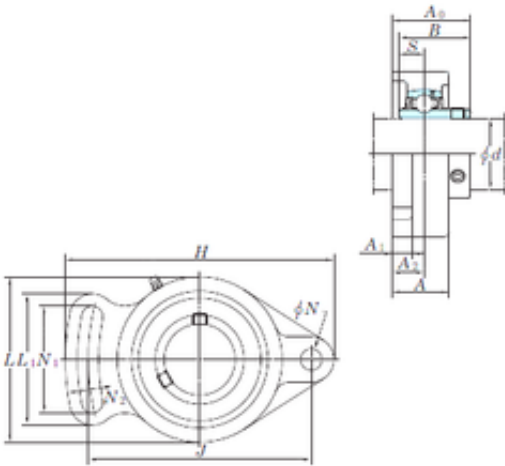




# Bearing import and Export Co., Ltd

## KOYO UCFA206-19 bearing units

Bearing No. UCFA206-19



UCFA206-19 Bearing 2D drawings and 3D CAD models

Bore Diameter	30,1625 mm
d	30,1625 mm
A0	40 mm
A	30 mm
A1	13 mm
B	38,1 mm
H	141 mm
J	117 mm
L	83 mm
L1	68 mm
N	11 mm
N1	56 mm
S	15,9 mm
Bolt (G)	M10
A2	17,8 mm
N2	12 mm
Weight	1 Kg
Basic dynamic load rating (C)	19,5 kN
Basic static load rating (C0)	11,3 kN