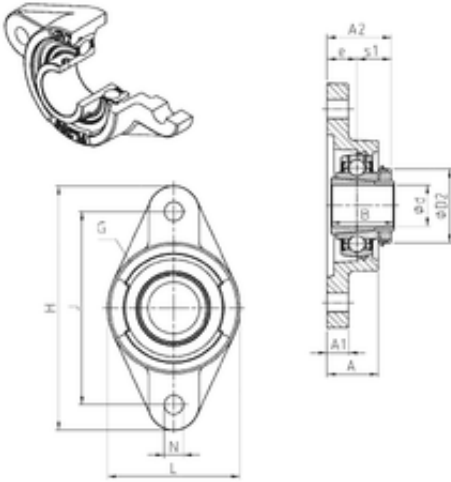




# Bearing import and Export Co., Ltd



## SNR UKFL320H bearing units

Bearing No. UKFL320H

Bore Diameter	90 mm
d	90 mm
e	59 mm
s1	54 mm
A	94 mm
A1	40 mm
B	97 mm
D2	130 mm
H	440 mm
J	360 mm
L	270 mm
N	44 mm
Thread (G)	M10x1
A2	113 mm
Weight	25,9 Kg
Basic dynamic load rating (C)	171,6 kN

UKFL320H Bearing 2D drawings and 3D CAD models