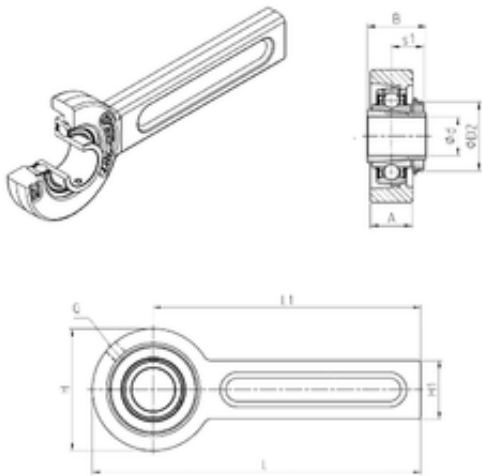




Bearing import and Export Co., Ltd



UKSP210H Bearing 2D drawings and 3D CAD models

SNR UKSP210H bearing units

Bearing No. UKSP210H

| | |
|-------------------------------|---------------|
| Bore Diameter | 45 mm |
| Width | 55 mm |
| d | 45 mm |
| s1 | 27,5 mm |
| A | 31 mm |
| B | 55 mm |
| D2 | 70 mm |
| H | 120 mm |
| H1 | 61 mm |
| L | 320 mm |
| L1 | 260 mm |
| Thread (G) | R1/8" |
| Weight | 4,4 Kg |
| Basic dynamic load rating (C) | 35,1 kN |
| A5 | 27.5 mm |
| B1 | 55 mm |
| d1 | 70 mm |
| G | R1/8" |
| H2 | 61 mm |
| C | 35.1 kN |
| C0 | 23.2 kN |
| T min. | -20 ° C |
| T max. | 100 ° C |
| Adapter sleeve reference | H2310 |
| Designation of housing | SP208-210/90- |
| Designation of bearing | UK210G2H |



Bearing import and Export Co., Ltd