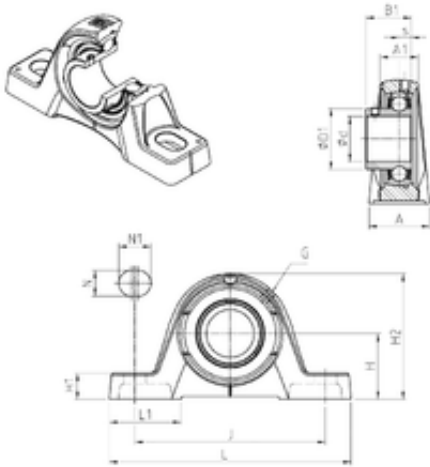




Bearing import and Export Co., Ltd

SNR USPE202 bearing units

Bearing No. USPE202



USPE202 Bearing 2D drawings and 3D CAD models

| | |
|-------------------------------|---------|
| Bore Diameter | 15 mm |
| d | 15 mm |
| s | 6 mm |
| A | 30 mm |
| A1 | 18 mm |
| B1 | 22 mm |
| D1 | 24,6 mm |
| H | 30,2 mm |
| H1 | 10 mm |
| H2 | 57 mm |
| J | 95 mm |
| L | 125 mm |
| L1 | 38 mm |
| N | 11 mm |
| N1 | 19 mm |
| Thread (G) | M6x1 |
| Weight | 0,4 Kg |
| Basic dynamic load rating (C) | 9,55 kN |