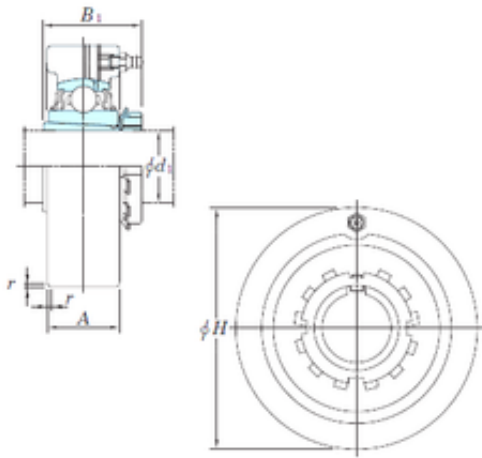




## Bearing import and Export Co., Ltd



### KOYO UKC210 bearing units

Bearing No. UKC210

Bore Diameter	45 mm
d	45 mm
r	2 mm
A	33 mm
B1	42 mm
H	120 mm
Weight	2,0 Kg
Basic dynamic load rating (C)	35,1 kN
Basic static load rating (C0)	23,3 kN

UKC210 Bearing 2D drawings and 3D CAD models