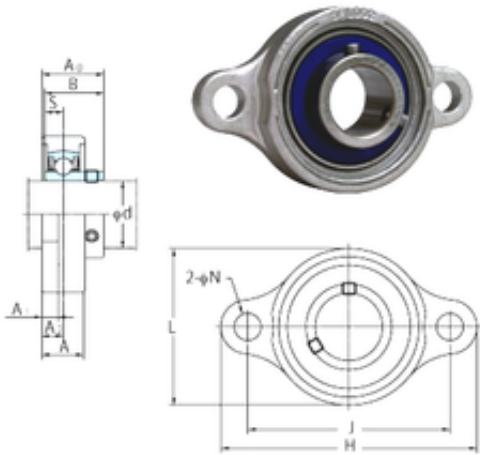




Bearing import and Export Co., Ltd

FYH USFL006S6 bearing units

Bearing No. USFL006S6



USFL006S6 Bearing 2D drawings and 3D CAD models

Bore Diameter	30 mm
d	30 mm
A0	26 mm
A	18 mm
A1	7 mm
B	24,5 mm
H	110 mm
J	85 mm
L	66 mm
N	13 mm
S	7,5 mm
Bolt (G)	M10
A2	9 mm
Weight	14,7 Kg
Basic dynamic load rating (C)	0,33 kN
Basic static load rating (C0)	11,2 kN