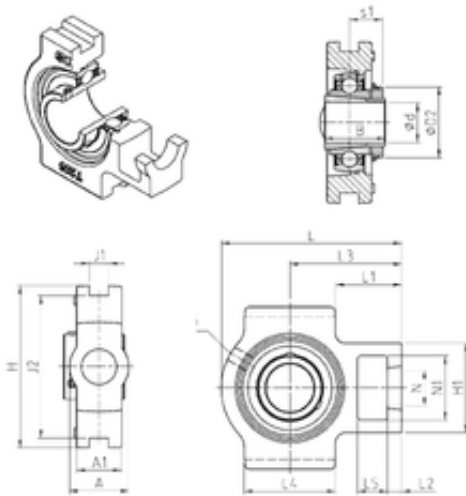




## Bearing import and Export Co., Ltd



### SNR UKT305H bearing units

Bearing No. UKT305H

Bore Diameter	20 mm
d	20 mm
L4	65 mm
L5	16 mm
L2	14 mm
L3	76 mm
s1	21,5 mm
A	36 mm
A1	26 mm
B	35 mm
D2	38 mm
H	89 mm
H1	62 mm
L	122 mm
L1	43,5 mm
N	26 mm
N1	36 mm
Thread (G)	M6x1
J1	12 mm
J2	80 mm
Weight	1,4 Kg
Basic dynamic load rating (C)	22,36 kN
A2	26 mm
A5	21.5 mm
B1	35 mm
d1	38 mm

UKT305H Bearing 2D drawings and 3D CAD models



## Bearing import and Export Co., Ltd

G	M6x1
H2	62 mm
N2	36 mm
C	22.36 kN
C0	11.5 kN
T min.	-20 ° C
T max.	100 ° C
Adapter sleeve reference	H2305
Designation of housing	T305-
Designation of bearing	UK305G2H