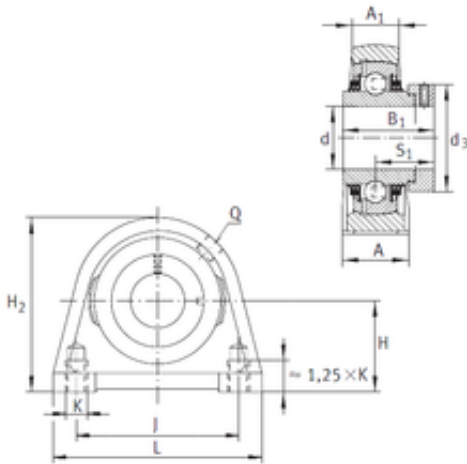




# Bearing import and Export Co., Ltd

## INA TSHE45 bearing units

Bearing No. TSHE45



TSHE45 Bearing 2D drawings and 3D CAD models

Bore Diameter	45 mm
d	45 mm
Thread (Q)	Rp1/8
Thread (K)	M12
d3	63 mm
A	48 mm
A1	32 mm
B1	56,5 mm
H	54 mm
H2	107 mm
J	95,3 mm
L	120 mm
S	34,9 mm
Weight	2,31 Kg
Basic dynamic load rating (C)	32,5 kN
Category	Pillow Block Bearings
Inventory	0.0
Manufacturer Name	SCHAEFFLER GROUP
Minimum Buy Quantity	N/A
Weight / Kilogram	2.587
Product Group	M06110
Number of Mounting Holes	2
Mounting Method	Eccentric Collar
Housing Style	2 Bolt Tap Base Pillow Block
Rolling Element	Ball Bearing
Housing Material	Cast Iron



## Bearing import and Export Co., Ltd

Expansion / Non-expansion	Non-expansion
Mounting Bolts	12 Millimeter
Relubricatable	Yes
Insert Part Number	GE45KPPB3
Seals	Double Triply
Housing Configuration	1 Piece Solid
Inch - Metric	Metric
Other Features	Single Row   With Set Screw
Long Description	2 Bolt Tap Base Pillow Block; 45MM Bore; 54MM Base to Center Height; Eccentric Collar Mount; Ball Bearing; Relubricatable; Cast Iron; Double Triply; Non-expansion
Category	Pillow Block
UNSPSC	31171511
Harmonized Tariff Code	8483.20.40.40
Noun	Bearing
Keyword String	Pillow Block
Manufacturer URL	<a href="http://www.ina.com">http://www.ina.com</a>
Manufacturer Item Number	TSHE45
Weight / LBS	5.09
Bolt Spacing Maximum	0 Inch   0Millimeter
Actual Bolt Center to Center	3.8 Inch   96Millimeter
Bolt Spacing Minimum	0 Inch   0Millimeter
Bore	1.772 Inch   45 Millimeter
Base to Center Height	2.126 Inch   54 Millimeter
Length Thru Bore	2.217 Inch   56.3 Millimeter
Nominal Bolt Center to Center	3.8 Inch   97 Millimeter