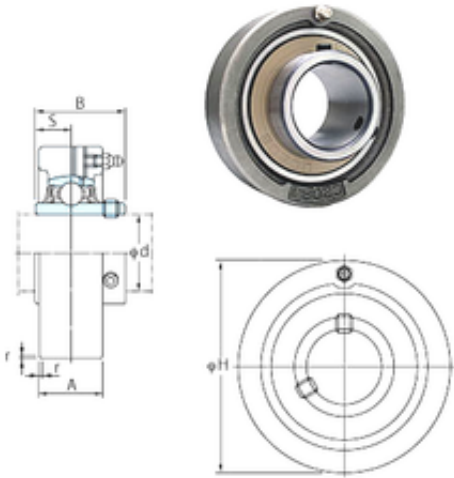




Bearing import and Export Co., Ltd

FYH UCC211-32 bearing units

Bearing No. UCC211-32



UCC211-32 Bearing 2D drawings and 3D CAD models

Bore Diameter	50,8 mm
Width	55,6 mm
d	50,8 mm
r	2,5 mm
A	35 mm
B	55,6 mm
H	125 mm
S	22,2 mm
Weight	2,2 Kg
Basic dynamic load rating (C)	43,4 kN
Basic static load rating (C0)	29,4 kN