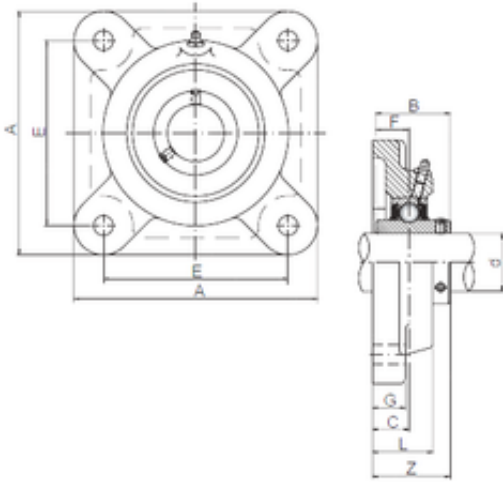




Bearing import and Export Co., Ltd



ISO UCFX07 bearing units

Bearing No. UCFX07

Bore Diameter	35 mm
Width	49,2 mm
d	35 mm
Z	51,2 mm
A	130 mm
B	49,2 mm
C	21 mm
E	102 mm
F	19 mm
G	14 mm
L	38 mm
S	16 mm
Bolt (G)	M14

UCFX07 Bearing 2D drawings and 3D CAD models