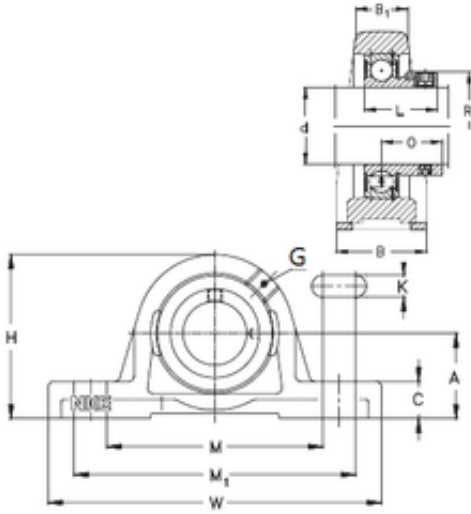




# Bearing import and Export Co., Ltd



## NKE RASEY40-N bearing units

Bearing No. RASEY40-N

Bore Diameter	40 mm
Width	48 mm
d	40 mm
O	30,2 mm
A	49,2 mm
B	48 mm
B1	30 mm
C	19 mm
H	99 mm
K	14 mm
L	49,2 mm
M	126,5 mm
M1	150 mm
W	179 mm
Thread (G)	R1/8 "

RASEY40-N Bearing 2D drawings and 3D CAD models