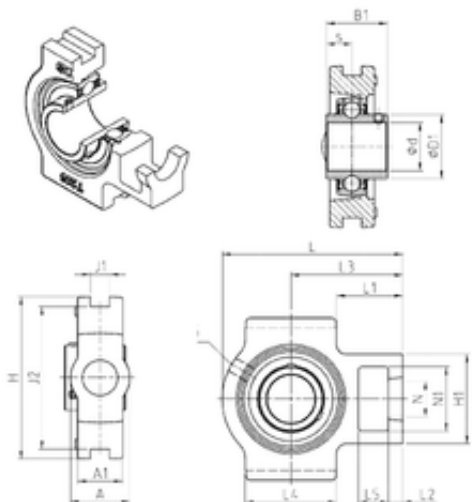




Bearing import and Export Co., Ltd



UCT328 Bearing 2D drawings and 3D CAD models

SNR UCT328 bearing units

Bearing No. UCT328

Bore Diameter	140 mm
d	140 mm
L4	255 mm
L5	70 mm
L2	52 mm
L3	315 mm
s	59 mm
A	155 mm
A1	100 mm
B1	145 mm
D1	190 mm
H	415 mm
H1	230 mm
L	515 mm
L1	187,5 mm
N	80 mm
N1	160 mm
Thread (G)	M10x1
J1	50 mm
J2	380 mm
Weight	83,2 Kg
Basic dynamic load rating (C)	275 kN
A2	100 mm
B	145 mm
A5	86 mm
G	M10x1



Bearing import and Export Co., Ltd

H2	230 mm
N2	160 mm
s1	72.5 mm
S	59 mm
SW	10 mm
C	275 kN
C0	272 kN
T min.	-20 ° C
T max.	100 ° C
Recommended tightening torque for set screw	120 Nm
Designation of housing	T328-
Designation of bearing	UC328G2