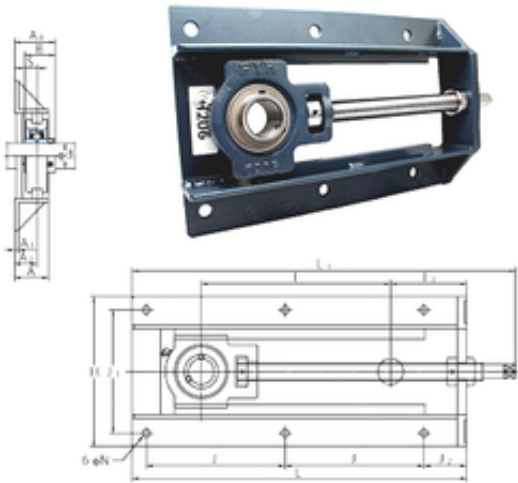




# Bearing import and Export Co., Ltd

## FYH UCTH207-230 bearing units

Bearing No. UCTH207-230



UCTH207-230 Bearing 2D drawings and 3D CAD models

Bore Diameter	35 mm
Width	107 mm
d	35 mm
A0	57,4 mm
T1	107 mm
A	50 mm
A1	6 mm
B	42,9 mm
H	213 mm
J	173 mm
L	430 mm
L1	500 mm
N	12 mm
S	17,5 mm
T	219 mm
Bolt (G)	M10
A2	32 mm
J1	166 mm
J2	65 mm
Weight	10,5 Kg
Basic dynamic load rating (C)	3 kN
Basic static load rating (C0)	15,4 kN