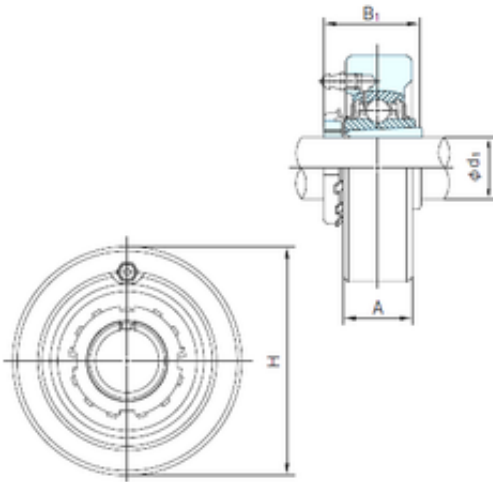




## Bearing import and Export Co., Ltd

### NACHI UKC211+H2311 bearing units

Bearing No. UKC211+H2311



Bore Diameter	50 mm
Width	125 mm
d	50 mm
A	35 mm
B1	59 mm
H	125 mm

UKC211+H2311 Bearing 2D drawings and 3D CAD models