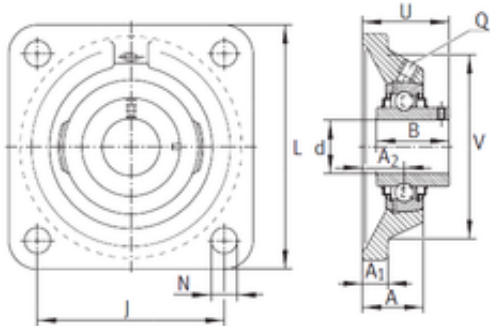




Bearing import and Export Co., Ltd

INA RCJY70 bearing units



RCJY70 Bearing 2D drawings and 3D CAD models

Bearing No. RCJY70

Bore Diameter	70 mm
d	70 mm
V	165 mm
U	82,4 mm
Thread (Q)	Rp1/8
A	52 mm
A1	18 mm
B	74,6 mm
J	150 mm
L	188 mm
N	18 mm
A2	38 mm
Weight	5,35 Kg
Basic dynamic load rating (C)	62 kN
Category	Flange Block Bearings
Inventory	0.0
Manufacturer Name	SCHAEFFLER GROUP
Minimum Buy Quantity	N/A
Weight / Kilogram	6.412
Product Group	M06110
Number of Mounting Holes	4
Mounting Method	Set Screw
Housing Style	4 Bolt Square Flange Block
Rolling Element	Ball Bearing
Housing Material	Cast Iron
Expansion / Non-expansion	Non-expansion



Bearing import and Export Co., Ltd

Mounting Bolts	18 Millimeter
Relubricatable	Yes
Insert Part Number	GYE70KRRB
Seals	Double Land Riding Rubber Contact
Housing Configuration	1 Piece Solid
Pilot Configuration	No Pilot
Inch - Metric	Metric
Long Description	4 Bolt Square Flange Block; 70MM Bore; 215MM Bolt Circle; 150MM Bolt Spacing; 1 Piece Solid; Set Screw Mount; Cast Iron; Ball Bearing; 74.6MM Length Thru Bore; Relubricatable; Double Land Riding Rubbe
Other Features	Single Row With Grub Screw
Category	Flange Block
UNSPSC	31171501
Harmonized Tariff Code	8483.20.40.40
Noun	Bearing
Keyword String	Flanged
Manufacturer URL	http://www.ina.com
Manufacturer Item Number	RCJY70
Weight / LBS	11.797
Bolt Spacing	5.906 Inch 150 Millimeter
Length Thru Bore	2.937 Inch 74.6 Millimeter
Cartridge Pilot Depth	0 Inch 0 Millimeter
Cartridge Pilot Diameter	0 Inch 0 Millimeter
Bore	2.756 Inch 70 Millimeter
Nominal Bolt Circle Diameter Round	8.5 Inch 215 Millimeter