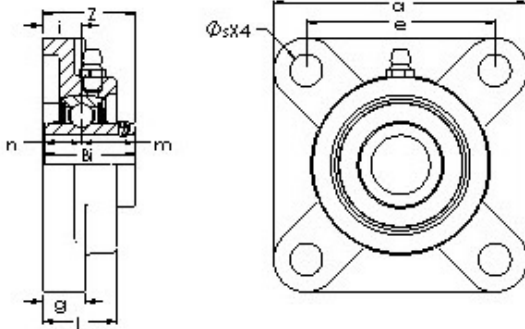




## Bearing import and Export Co., Ltd



### AST UCF 209-28E bearing units

Bearing No. UCF 209-28E

Bore Diameter	44,45 mm
Bearing Type	Cast iron housing
Dynamic Load Rating (Cr)	7,670
Static Load Rating (Cor)	4,783
Shaft Dia. (Fw)	1.7500
Mounting Hole Center-to-Center (e)	4.1250
Housing Length (a)	5.4060
Housing Base Thickness (g)	0.6250
Bearing Inner Race Width (Bi)	1.9370
Bearing Inner Race Width - Short Side (n)	0.7480
Bearing Inner Race Width - Extended Side (m)	1.1890
Mounting Bolt Size	0.5000
Bearing Number - UC 209-28	UC 20928
Housing Number	F 209E
Mounting Hole Dia. (s)	0.6250
Flange Assembly Height (Z)	2.0630
Flange Height (l)	1.5000
Mounting Base to Bearing Center (i)	0.8594
Weight (g)	2,313.31
Material	Cast iron housing, chrome steel bearing

UCF 209-28E Bearing 2D drawings and 3D CAD models