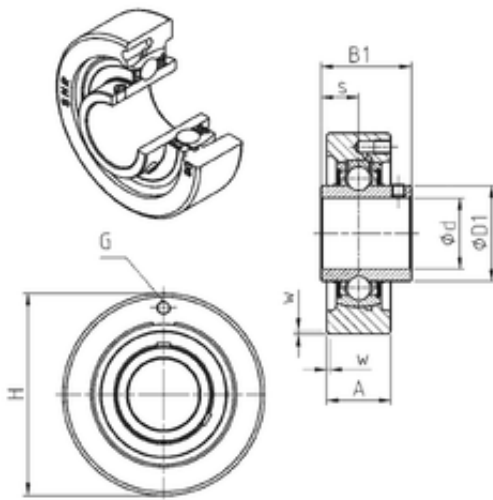




Bearing import and Export Co., Ltd



UCC212 Bearing 2D drawings and 3D CAD models

SNR UCC212 bearing units

Bearing No. UCC212

Bore Diameter	60 mm
d	60 mm
s	25,4 mm
A	38 mm
B1	65,1 mm
D1	74,9 mm
H	130 mm
W	2,5 mm
Thread (G)	M6x1
Weight	2,7 Kg
Basic dynamic load rating (C)	52,5 kN
B	65.1 mm
A3	2.5 mm
A5	39.7 mm
G	M6x1
s1	32.55 mm
S	25.4 mm
SW	5 mm
C	52.5 kN
C0	32.8 kN
T min.	-20 ° C
T max.	100 ° C
Recommended tightening torque for set screw	22 Nm
Designation of housing	C212-
Designation of bearing	UC212G2



Bearing import and Export Co., Ltd