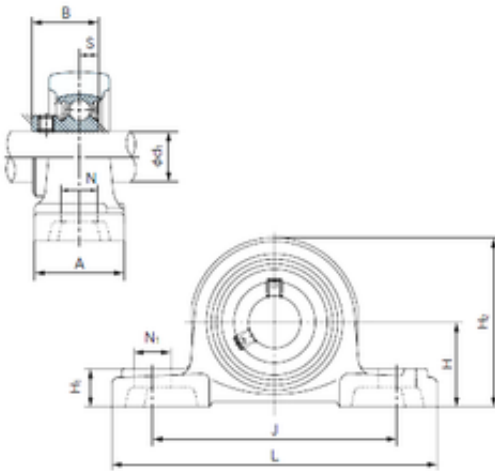




Bearing import and Export Co., Ltd

NACHI BP207 bearing units

Bearing No. BP207



BP207 Bearing 2D drawings and 3D CAD models

Bore Diameter	35 mm
Width	32.9 mm
d	35 mm
A	48 mm
B	32.9 mm
H	47.6 mm
H1	19 mm
H2	94 mm
J	127 mm
L	167 mm
N	17 mm
N1	21 mm