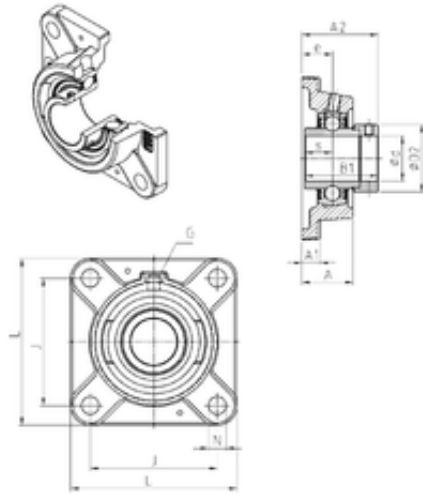




Bearing import and Export Co., Ltd



SNR EXFE208 bearing units

Bearing No. EXFE208

Bore Diameter	40 mm
d	40 mm
e	24 mm
s	21,4 mm
A	39,5 mm
A1	13 mm
B1	56,3 mm
D2	60,3 mm
J	101,5 mm
L	130 mm
N	14 mm
Thread (G)	R1/8"
A2	58,9 mm
Weight	2,2 Kg
Basic dynamic load rating (C)	29,6 kN

EXFE208 Bearing 2D drawings and 3D CAD models