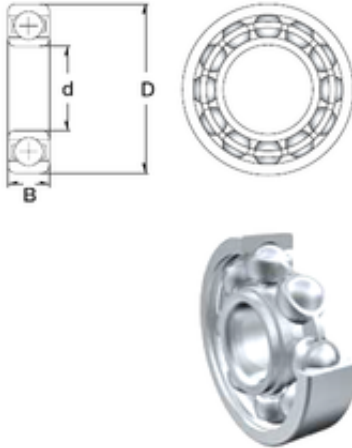




Bearing import and Export Co., Ltd



9,525 mm x 22,225 mm x 7,142 mm ZEN
SR6-2Z deep groove ball bearings

Bearing No. SR6-2Z

Size	9.525x22.225x7.142 mm
Bore Diameter	9,525 mm
Outer Diameter	22,225 mm
Width	7,142 mm
d	9,525 mm
D	22,225 mm
B	7,142 mm
C	7,142 mm
Basic dynamic load rating (C)	3,332 kN
Basic static load rating (C0)	1,422 kN
(Grease) Lubrication Speed	32000 r/min

SR6-2Z Bearing 2D drawings and 3D CAD models