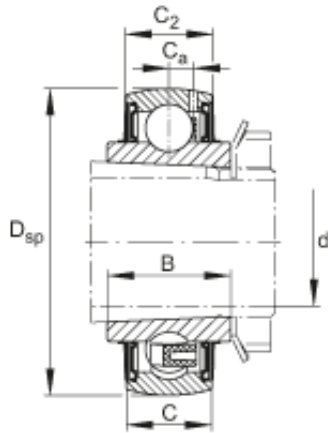




Bearing import and Export Co., Ltd



FAG UK208 deep groove ball bearings

Bearing No. UK208

Size	35x80x46 mm
Bore Diameter	35 mm
Outer Diameter	80 mm
Width	46 mm
d	35 mm
D _{SP}	80 mm
B ₁	46 mm
B	31 mm
C	21 mm
C ₂	21,6 mm
C _a	6,2 mm
c	10 mm
d _{3 max}	58 mm
m	0,7 kg / Weight
m	0,23 kg / Weight adapter sleeve, complete
C _r	34500 N / Dynamic load rating (radial)
C _{0r}	19800 N / Static load rating (radial)
	H2308 / Adapter sleeve, complete
	A2308X / Designation, sleeve
	AN08 / Designation, locknut

UK208 Bearing 2D drawings and 3D CAD models