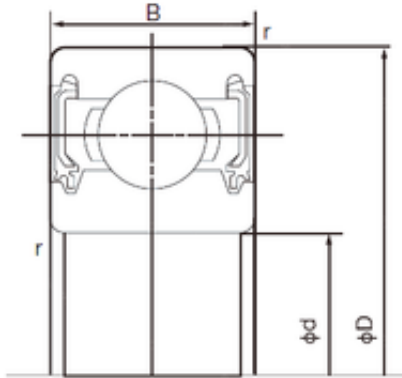




Bearing import and Export Co., Ltd

65 mm x 140 mm x 33 mm NACHI 6313-2NKE
deep groove ball bearings



Bearing No. 6313-2NKE

Size	65x140x33 mm
Bore Diameter	65 mm
Outer Diameter	140 mm
Width	33 mm
d	65 mm
D	140 mm
B	33 mm
C	33 mm
r min.	2.1 mm
da min.	77 mm
Da max.	128 mm
ra max.	2.0 mm
Weight	2.08 Kg
Basic dynamic load rating (C)	92,5 kN
Basic static load rating (C0)	59,5 kN
Bore Type	Cylindrical Bore
Enclosure	Double Seal
Configuration	Single Row
Bore Size	65 mm
Outside Diameter	140 mm
Width	33 mm
Dynamic Load Rating	92,500 N
Static Load Rating	59,500 N
Limiting Speed - Grease	4,900 rpm
Factor fo	13.2

6313-2NKE Bearing 2D drawings and 3D CAD models



Bearing import and Export Co., Ltd

Radial Clearance	0.008 to 0.028 mm
da (min)	77 mm
Da (max)	128 mm
ra (max)	2 mm