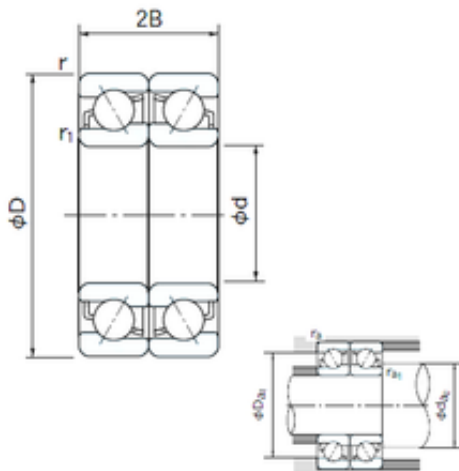




Bearing import and Export Co., Ltd



75 mm x 160 mm x 37 mm NACHI 7315DF angular contact ball bearings

Bearing No. 7315DF

7315DF Bearing 2D drawings and 3D CAD models

Size	75x160x37 mm
Bore Diameter	75 mm
Outer Diameter	160 mm
Width	37 mm
d	75 mm
D	160 mm
B	37 mm
C	37 mm
Angle (°)	30 °
a	15.4 mm
r min.	2.1 mm
r1 min.	1.1 mm
2B	74 mm
da min.	82 mm
Da max.	153 mm
ra max.	1 mm
Weight	3.15 Kg
Basic dynamic load rating (C)	221 kN
Basic static load rating (C0)	212 kN
(Grease) Lubrication Speed	3000 r/min
Bore Type	Cylindrical Bore
Enclosure	Open
Configuration	Duplex
Bore Size	75 mm
Outside Diameter	160 mm



Bearing import and Export Co., Ltd

Width	37 mm
Fillet Radius/Chamfer	2.1 mm
r1	1.1 mm
Dynamic Load Rating	221,000 N
Static Load Rating	212,000 N
Limiting Speed - Grease	3,000 rpm
Limiting Speed - Oil	4,000 rpm
da1 (min)	87 mm
da2 (min)	82 mm
Da1 (max)	148 mm
Da2 (max)	153 mm
ra (max)	2 mm
ra1 (max)	1 mm