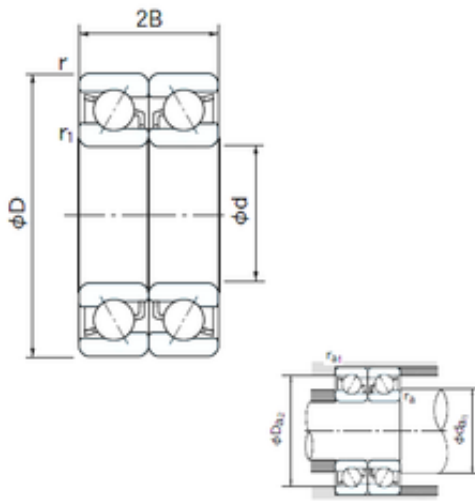




## Bearing import and Export Co., Ltd



130 mm x 200 mm x 33 mm NACHI 7026DB  
angular contact ball bearings

Bearing No. 7026DB

7026DB Bearing 2D drawings and 3D CAD models

Size	130x200x33 mm
Bore Diameter	130 mm
Outer Diameter	200 mm
Width	33 mm
d	130 mm
D	200 mm
B	33 mm
C	33 mm
Angle ( ° )	30 °
a	31.1 mm
r min.	2 mm
r1 min.	1 mm
2B	66 mm
da min.	138 mm
Da max.	195 mm
ra max.	1 mm
Weight	3.43 Kg
Basic dynamic load rating (C)	190 kN
Basic static load rating (C0)	250 kN
(Grease) Lubrication Speed	2200 r/min
Bore Type	Cylindrical Bore
Enclosure	Open
Configuration	Duplex
Bore Size	130 mm
Outside Diameter	200 mm



## Bearing import and Export Co., Ltd

Width	33 mm
Fillet Radius/Chamfer	2 mm
r1	1 mm
Dynamic Load Rating	190,000 N
Static Load Rating	250,000 N
Limiting Speed - Grease	2,200 rpm
Limiting Speed - Oil	2,700 rpm
da1 (min)	138 mm
da2 (min)	138 mm
Da1 (max)	192 mm
Da2 (max)	195 mm
ra (max)	2 mm
ra1 (max)	1 mm