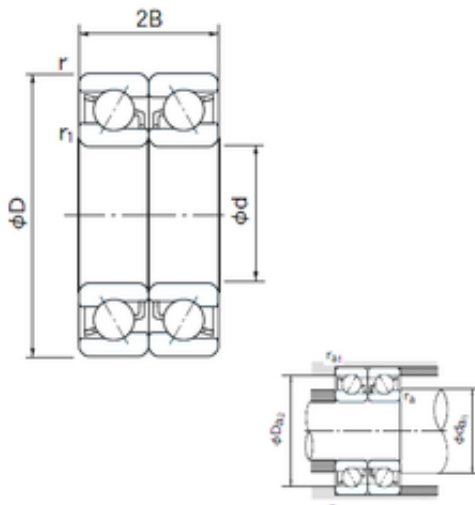




Bearing import and Export Co., Ltd



85 mm x 180 mm x 41 mm NACHI 7317DB
angular contact ball bearings

Bearing No. 7317DB

7317DB Bearing 2D drawings and 3D CAD models

Size	85x180x41 mm
Bore Diameter	85 mm
Outer Diameter	180 mm
Width	41 mm
d	85 mm
D	180 mm
B	41 mm
C	41 mm
Angle (°)	30 °
a	17.7 mm
r min.	3 mm
r1 min.	1.1 mm
2B	82 mm
da min.	92 mm
Da max.	173 mm
ra max.	1 mm
Weight	4.90 Kg
Basic dynamic load rating (C)	258 kN
Basic static load rating (C0)	266 kN
(Grease) Lubrication Speed	2600 r/min
Bore Type	Cylindrical Bore
Enclosure	Open
Configuration	Duplex
Bore Size	85 mm
Outside Diameter	180 mm



Bearing import and Export Co., Ltd

Width	41 mm
Fillet Radius/Chamfer	3 mm
r1	1.1 mm
Dynamic Load Rating	258,000 N
Static Load Rating	266,000 N
Limiting Speed - Grease	2,600 rpm
Limiting Speed - Oil	3,600 rpm
da1 (min)	99 mm
da2 (min)	92 mm
Da1 (max)	166 mm
Da2 (max)	173 mm
ra (max)	2.5 mm
ra1 (max)	1 mm